

ILLUSTRATED PARTS BREAKDOWN

PARTNER

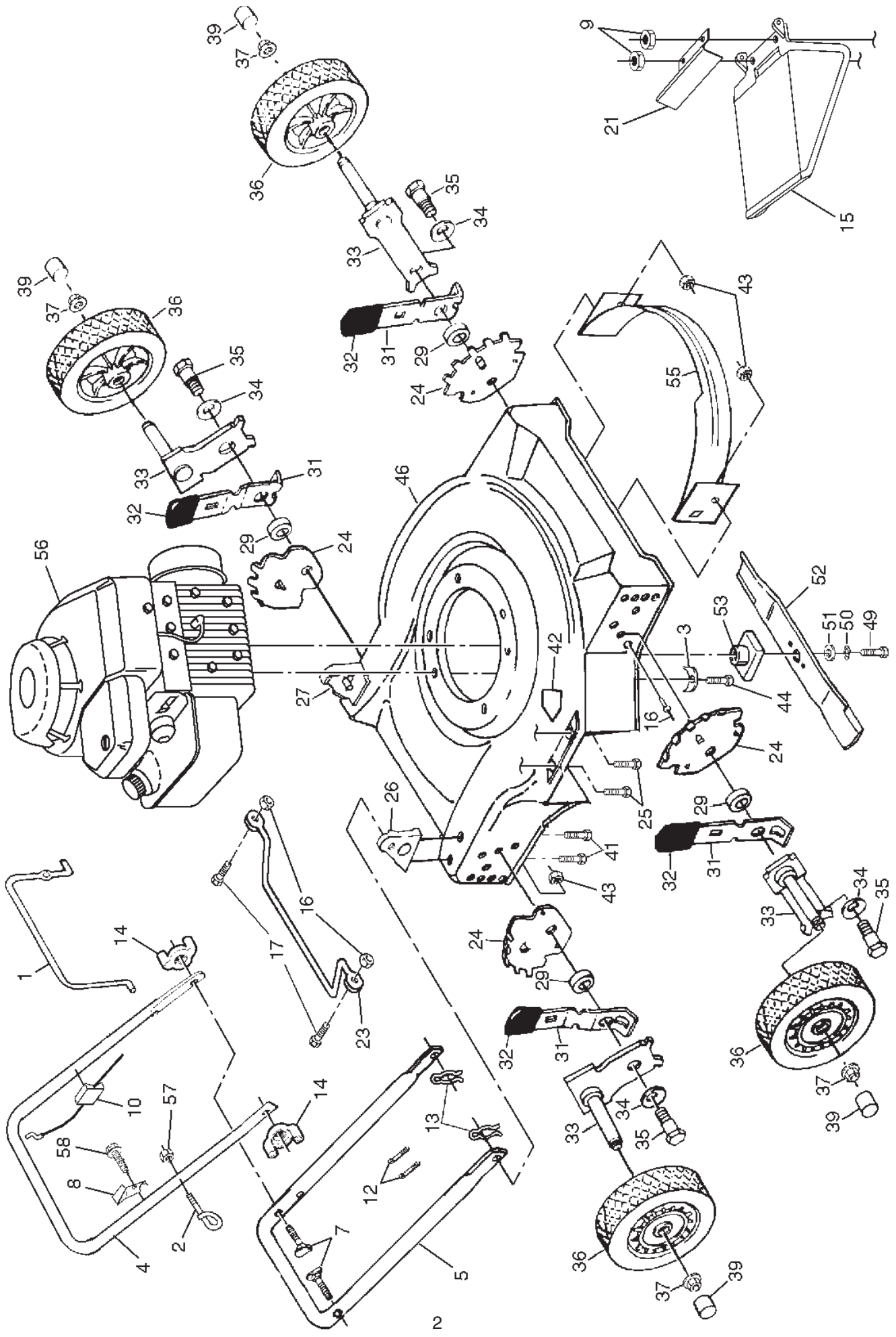
20" SIDE-DISCHARGE

ROTARY LAWN MOWER

MODEL NUMBER P350QS (P350QSA)

PRODUCT NUMBER 964 79 97-00

ROTARY LAWN MOWER -- MODEL NUMBER P350QS (P350QSA) PRODUCT NUMBER 964 79 97-00



ROTARY LAWN MOWER - - MODEL NUMBER P350QS (P350QSA) PRODUCT NUMBER 964 79 97-00

KEY NO.	PART NO.	DESCRIPTION
1	532 13 16-96	Control Bar
2	532 17 95-85	Rope Guide
3	532 12 50-78	Engine Washer
4	532 17 76-98	Upper Handle
5	532 15 50-44	Lower Handle
7	532 13 19-59	Handle Bolt 5/16-18 x 1-3/4
8	532 12 52-03	Up-Stop Bracket
9	873 80 04-00	Nut, Hex
10	532 16 37-99	Engine Zone Control Cable
12	532 06 64-26	Wire Tie
13	532 05 17-93	Hair Pin Cotter
14	532 12 86-38	Wing Nut, Steel
15	532 75 20-52	Discharge Guard
16	532 06 91-80	Nut, Hex
17	532 08 58-25	Screw
21	532 16 22-34	Hold Down Bracket
23	532 15 41-47	Footguard
24	532 13 99-01	Wheel Adjusting Bracket
25	874 76 04-12	Bolt
26	532 17 09-75	Handle Bracket Assembly, RH
27	532 17 09-77	Handle Bracket Assembly, LH
29	532 14 66-30	Spacer
31	532 14 17-30	Selector Spring
32	532 08 78-77	Selector Knob
33	532 14 98-57	Axle Arm Assembly

KEY NO.	PART NO.	DESCRIPTION
34	532 06 23-35	Belleville Washer
35	532 14 27-48	Shoulder Bolt
36	532 80 00-60	Wheel and Tire Assembly
37	532 08 39-23	Nut, Hex
39	532 80 00-90	Hubcap
41	532 14 97-41	Thread Cutting Screw 5/16-18 x 3/4
42	532 18 21-66	Danger Decal
43	532 75 15-92	Locknut 3/8-16
44	532 15 04-06	Hex Head Thread Rolling Screw 3/8-16 x 1-1/8
46	532 19 04-38	Lawn Mower Housing
49	532 85 10-84	Hex Head Screw 3/8-24 x 1-3/8 Grade 8
50	532 85 02-63	Helical Lockwasher 3/8
51	532 85 10-74	Hardened Washer
52	532 14 51-06	Blade 20"
53	532 85 09-77	Blade Adapter
55	532 14 15-19	Front Baffle
56	- - -	Engine, Briggs & Stratton, Model Number 9D902 (order parts from engine manufacturer)
57	873 80 04-00	Nut, Hex
58	532 75 06-34	Nut, Hex
--	532 14 15-20	Rear Baffle (not shown)
--	532 19 04-34	Operator's Manual, European
--	532 19 04-35	Operator's Manual, Scandinavian

NOTE: All component dimensions given in U.S. inches.
1 inch = 25.4 mm